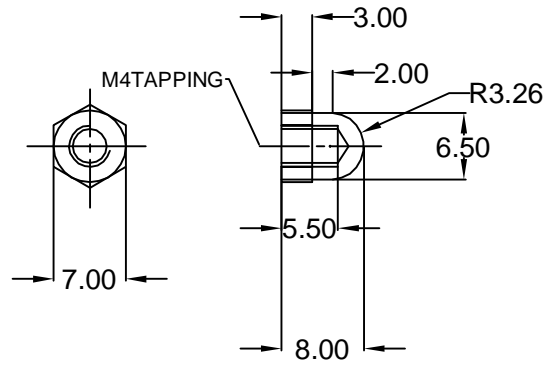


M4 DOME NUT



<i>ANAND</i> Enterprises		TOLERANCE UNLESS OTHERWISE STATED		± 0.2
				ANGLE $\pm 0'10'$
HEAT TREATMENT NA				UNIT MM
MATERIAL 30%GF NYLON 6 BLACK		DATE 4.4.2019		QTY. NA
TITLE DOM E NUT M4		DRG.NO. 0140		
		SCALE 1:1		SHEET 1 OF 1