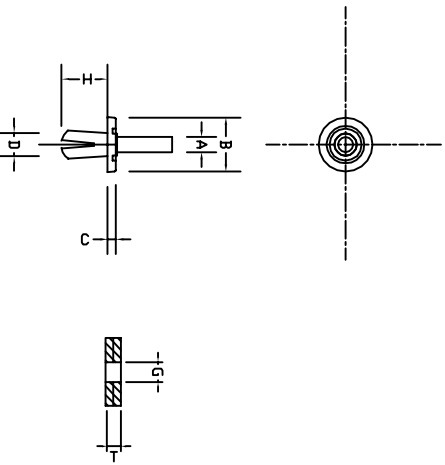


RIVET

MATERIAL: NYLON 66 NATURAL UL94-V2



Description	Value	Result
Vertical Pull Force	107.8 kg	Conduit came out with rivet
Horizontal Pull Force	55.7 kg	Conduit came out with rivet

A	B	C	D	H	G	T	PART CODE
3.10	11.0	1.70	4.60	9.0	4.60	3.0 TO 5.0	AE RIVET 2

<b>ANAND Enterprises</b>		TOLERANCE UNLESS OTHERWISE STATED		±0.2
HEAT TREATMENT	NA		UNIT	MM
MATERIAL	NYLON 66 NAT. UL94-V2	DATE	19/7/10	QTY.
TITLE	RIVET 2	DRG. NO.	AE015	
SCALE	5:1	SHEET	1 OF 1	